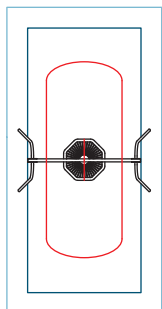


Nest Swing

Dimensions L x W x H	3.5m x 1.6m x 2.6m
Seat Height	0.5m
Minimum space required L x W	8.6m x 4.6m
Free height of fall	1.5m
Impact area (wet pour)	21m ²
Concrete pin kerbs (wet pour)	20 lm
Heaviest part	35kg
Largest part	2.9m x 0.4m x 0.3m
Total weight (approx.)	142kg



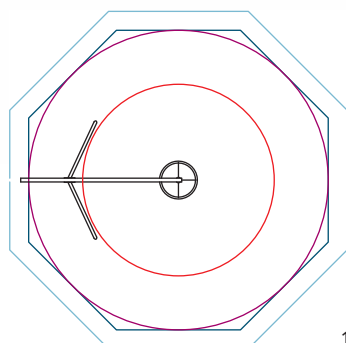
1:200



The **Nest Swing** works in one direction, the **Cantilever Swing** can swing in all directions.



Why swing by yourself when you can all get in? Swing, talk or just chill out!



1:200

Cantilever Swing

Dimensions L x W x H	4.7m x 3.2m x 3.2m
Seat Height	0.5m
Minimum space required L x W	9mØ
Free height of fall	1.7m
Impact area (wet pour)	52m ²
Concrete pin kerbs (wet pour)	26.2 lm
Heaviest part	120kg
Largest part	4.3m x 0.4m x 0.2m
Total weight (approx.)	200kg