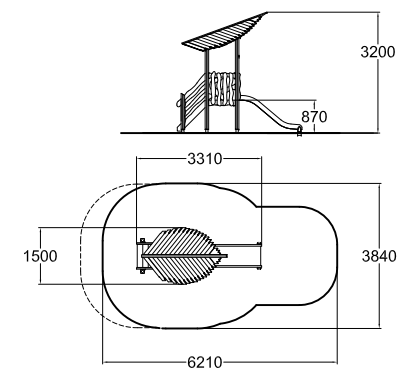
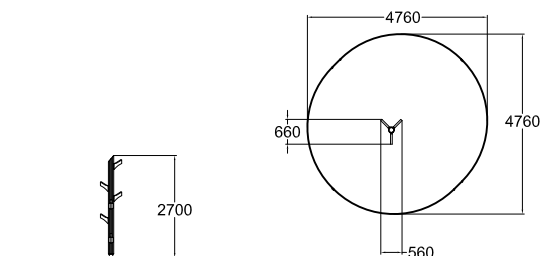
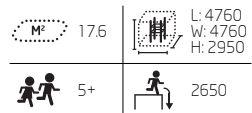
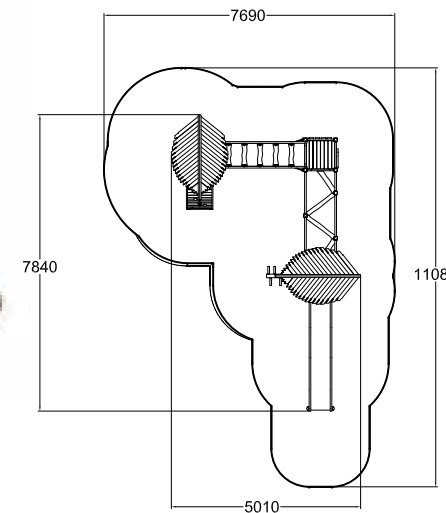
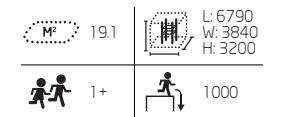




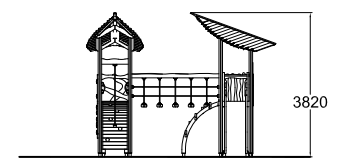
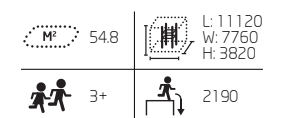
175550
GOBLIN'S CLIMBING



175515
FAIRY'S BURROW



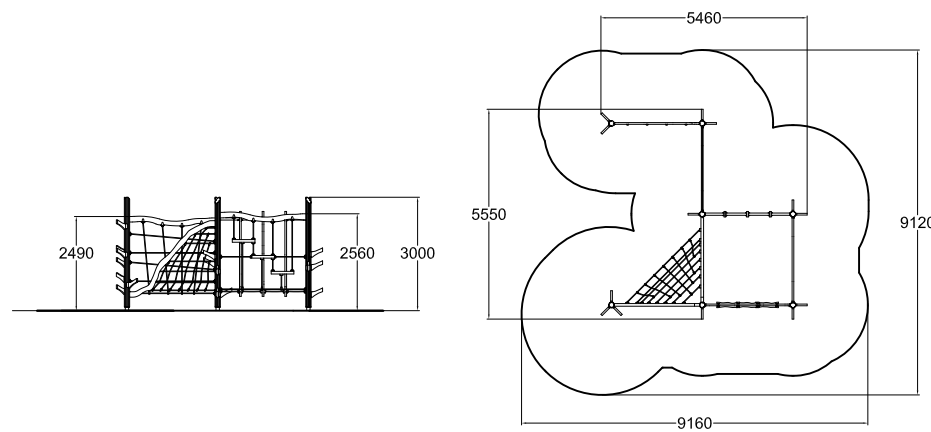
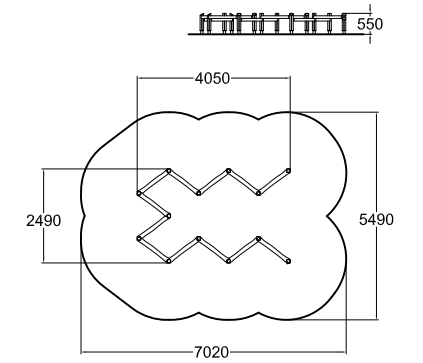
175520
GOBLIN'S FOREST





175535
GOBLIN'S TRACK

0	L: 7020 W: 5490 H: 2290
3+	490



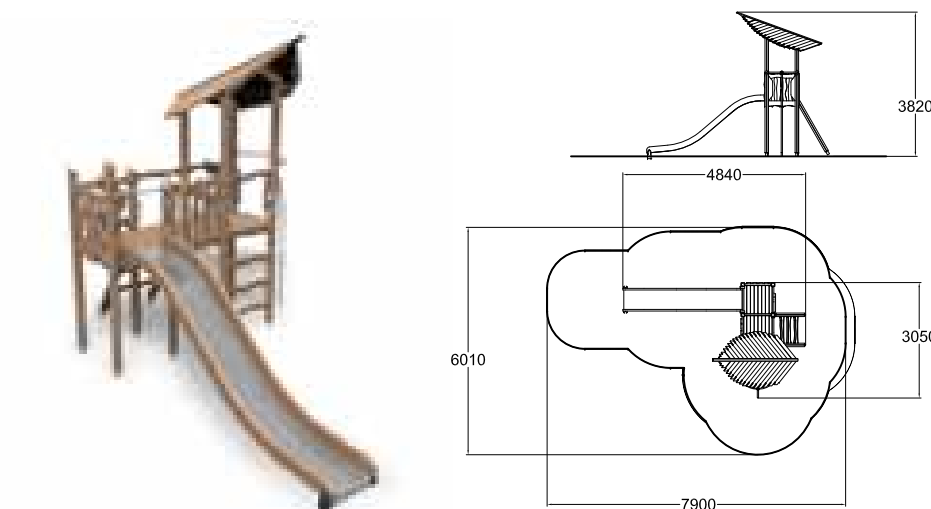
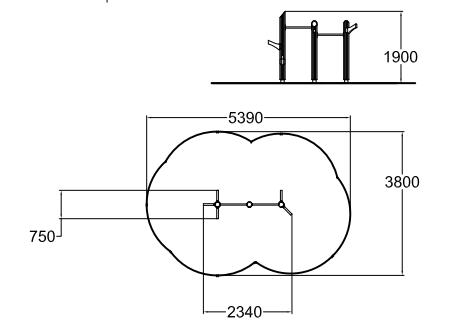
175595
GNOME'S CLIMBING FOREST

64.2	L: 9180 W: 9120 H: 3050
4+	2600



175555
TROLL'S TREES

16.7	L: 5390 W: 3800 H: 1950
5+	1580



175510
TROLL'S SHELTER

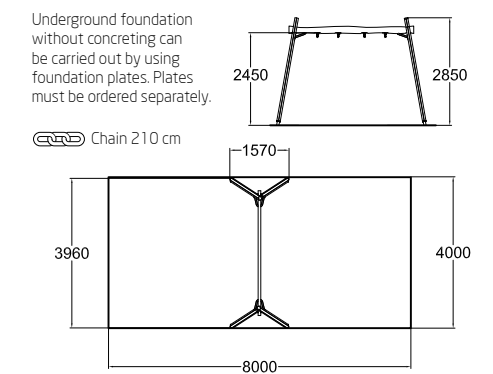
31.5	L: 8300 W: 6020 H: 3820
3+	1470



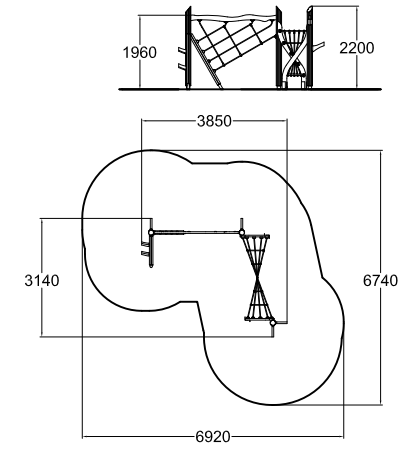
175575
FOREST ELF'S SWING

32	L: 8100 W: 3150 H: 2900
4+	1400

Underground foundation without concreting can be carried out by using foundation plates. Plates must be ordered separately.

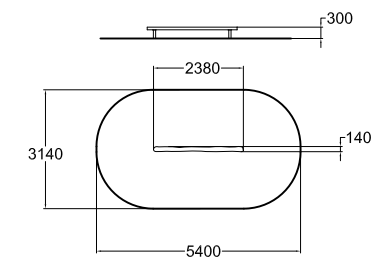


175570 FAIRY'S CAROUSEL



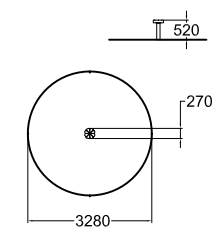
175590 TROLL'S CLIMBING TRACK

	30.8		L: 6920 W: 6740 H: 3460
	4+		1960



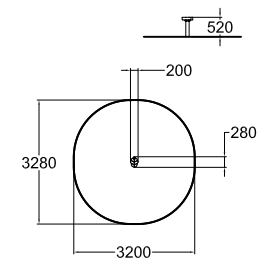
175530 TROLL'S BALANCE BEAM

	0		L: 5400 W: 3140 H: 2170
	3+		370



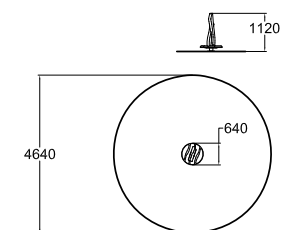
175560 CLOVER

	0		L: 3280 W: 3280 H: 2320
	3+		520



175561 CONE

	0		L: 3280 W: 3200 H: 2320
	3+		520



175570 FAIRY'S CAROUSEL

	16.9		L: 4640 W: 4640 H: 2170
	3+		1000