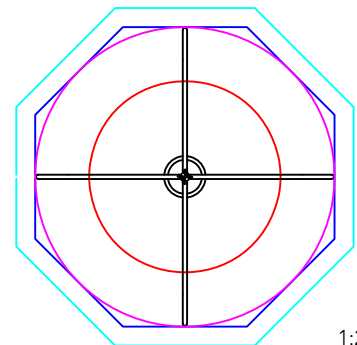


M Swing

Dimensions L x W x H	7.9m x 7.9m x 3.8m
Seat height	0.5m
Minimum space required L x W	9mØ
Free height of fall	1.7m
Impact area (wet pour)	52m ²
Concrete pin kerbs (wet pour)	26.2 lm
Heaviest part	104kg
Largest part	5.5m x 2.3m x 0.4m
Total weight (approx)	465kg



1:200

Key

- Safer surfacing area (wet pour)
- Falling space
- Circulation space
- Free space